



NOVOFIT CONNECTORS DB

PRODUCT DESCRIPTION

This product is a microduct connector for Telecom direct buried applications. Specifically to connect microducts, like Novomicro DB, Novosplit or Novoflat.

Available to connect Microducts DB with outer diameter [mm]:
7, 8, 10, 12, 14, 16

The cover is pre-installed but can be removed if needed (make sure that the cover is properly reinstalled).



APPLICATION AREA

Designed for use with Wavin Cable Duct system to connect Microducts DB used:

- as single product
- in Novosplit
- in Novoflat

The fittings are meant for direct buried applications. The cover acts as an extra impact barrier for the internal fitting.

PRODUCT FEATURES

- Transparent housing + transparent cover
- Suitable for microducts from 7 - 16 mm
- Push fit
- Re-openable (with screw driver)
- Re-usable connector (spare covers on request)
- Pressure tight
- Leak tight
- Suitable from -15 °C
- Increased impact resistance for DB installation
- Locking clip included



Accessible & Watertight Solutions for
latest generation telecom networks

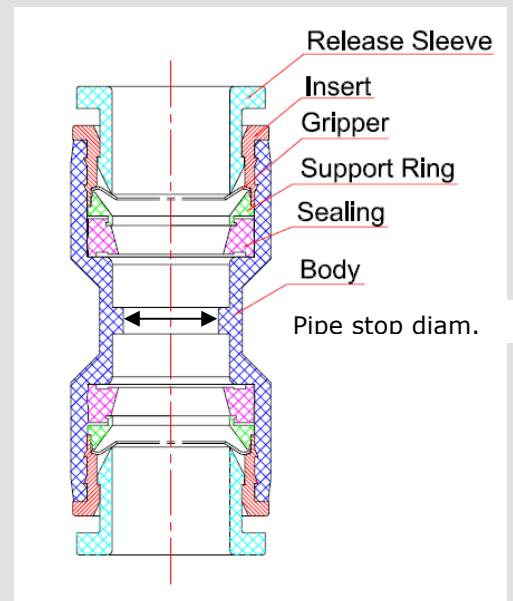
PRODUCT COMPONENTS

Part description	No of parts
1. Release sleeve	2
2. Insert	2
3. Grab ring (Gripper)	2
4. Support ring	2
5. Sealing	2
6. Body	1
7. Protection case	1

PRODUCT SPECIFICATIONS

Materials

1. Release sleeve	POM
2. Insert	Nickel plated brass
3. Grab ring	Stainless steel
4. Support ring	POM
5. Sealing	NBR (fulfilling EN681-1)
6. Body	Clear PA
7. Protection case	PP



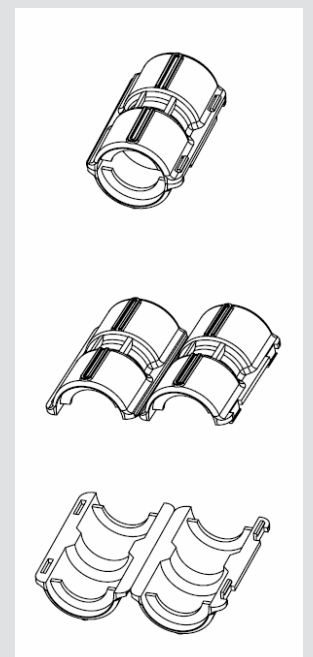
Dimensions

Item	Length (total product) * [mm]	Max OD (prot. case) [mm]	ID entrance [mm]	Pipestop diameter [mm]	Pipestop width [mm]	Weight [g] *
7 mm DB	41,3	26 / 19	7 ±0,2	6,2	1,3	11,9
8 mm DB	41,3	26 / 19	8 ±0,2	7,1	1,5	11,3
10 mm DB	49,7	24 / 29	10 ±0,2	9,3	1,85	21,8
12 mm DB	51,5	26 / 31	12 ±0,2	11,0	2,0	25,3
14 mm DB	51,3	28 / 32	14 ±0,2	13,0	2,0	26,4
16 mm DB	51,3	28 / 32	16 ±0,2	14,0	2,0	36,8

* = including insert+release sleeve and protection cover

Colours

Release sleeve	Dark grey-blue
Insert	Nickel colour
Grab ring	Stainless steel
Support ring	Black
Sealing	Black
Body	Transparent
Protection case	Translucent



PRODUCT PERFORMANCE

Requirements

Product	Push in force [N]	Pull out force [N]	Impact resistance (-15/20 °C) [Joule]	Impact resistance (-20 °C) [Joule]	Resistance against internal pressure [hrs]	
					18 bar/20 °C	25 bar/20 °C
7 mm connector DB	<40	>125	5	>1	> 2 hrs	>0,5 hrs
8 mm connector DB	<40	>160	5	>1	> 2 hrs	>0,5 hrs
10 mm connector DB	<40	>225	5	>1	> 2 hrs	>0,5 hrs
12 mm connector DB	<40	>290	5	>1	> 2 hrs	>0,5 hrs
14 mm connector DB	<75	>360	5	>1	> 2 hrs	>0,5 hrs
16 mm connector DB	<75	>425	5	>1	> 2 hrs	>0,5 hrs

Typical values (can depend on pipe used)

Product	Push in force [N]	Pull out force [N] **	Leak tightness * [cm ³ /min]	Resistance against internal pressure [hrs]	
				18 bar/20 °C	25 bar/20 °C
7 mm connector DB	12	200	<1	> 2 hrs	>0,5 hrs
8 mm connector DB	23	300	<1	> 2 hrs	>0,5 hrs
10 mm connector DB	25	350	<1	> 24 hrs	>0,5 hrs
12 mm connector DB	25	475	<1	> 2 hrs	>0,5 hrs
14 mm connector DB	30	600	<1	> 2 hrs	>0,5 hrs
16 mm connector DB	31	584	<1	> 2 hrs	>0,5 hrs

* 8 bar / 4 hours + 2 bar / 24 hours

** tested with Novomicro DI pipe

Corrosion test stainless steel parts

Alls stainless steel parts have been tested on corrosion resistance during 100 hrs, pH 6-7 salt solution.

Life time fitting body material

Body material withstand pressure test after aging during 1000 hrs at 95 °C.

PACKAGING AND LABELLING***Packaging***

Product	Fittings/bag [nr]	Weight per bag [g]	Size of bag width x length [mm]
7 mm connector DB	100	870	220 x 295
8 mm connector DB	100	1030	220 x 295
10 mm connector DB	100	1700	280 x 405
12 mm connector DB	100	1925	280 x 405
14 mm connector DB	100	2820	280 x 405
16 mm connector DB	100	3680	280 x 405

Labelling

The labels contain information about ; product name / quantity / article no / batch no / barcode + EAN code.